

Safety Bulletin

No: SB041

Rev 0

September 29, 2008

Description: D2P, E2P, D4P, D6P Power Units - Charge Pressure Gauge



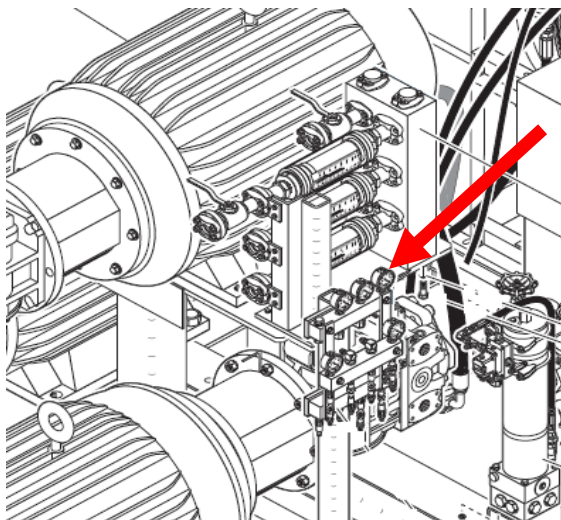
Tesco Corporation
6204 – 6A Street SE
Calgary, AB. T2H 2B7
Phone: (403) 692 5700
www.tescocorp.com

BACKGROUND INFORMATION:

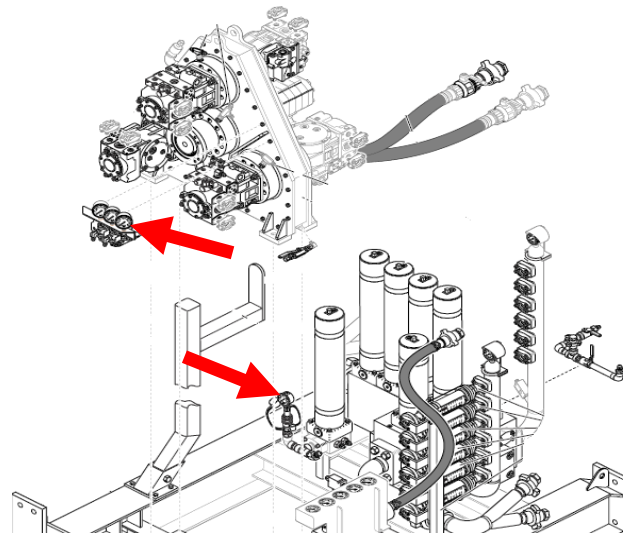
An incident occurred on TESCO HCIS top drive system #488 for PT Apexindo where the charge pressure gauge TESCO #0049 – *Gauge, Liquid Filled, 1000 PSI/kPa, 2.5" O.D. x 1/4" MNPT, LM* – has failed three times, spilling oil over adjacent equipment on the power unit. This pressure gauge is installed on all TESCO pump skids for each power unit, as well as on a number of other TESCO kits and assemblies as follows:

TESCO #	ITEM DESCRIPTION
1120014	Assy, Manifold, Run, Junction, E2P-1R
1120024	Kit, Fittings, Suction/Charge Filter, E2P-1R
1120098	Kit, Spares, Level 1, HCI/D4P
1120141	Kit, Spares, Level 1, Power Unit, CAT C-15, CE, D2P
1120204	Kit, Spares, Level 1, Power Unit, 12V2000, PLC, HXI
1120225	Kit, Spares, Level 1, Power Unit, 12V2000, Relay, HXI
13877	Kit, Charge Filter Plumbing, 16V2000, D6P
13881	Kit, Plumbing/Instal, Pump Press gauge, 16V2000, D6P
16155	Kit, Hydraulic, Actuator, CDS
720148	Kit, Suction/Charge Filter, D2P
720205	Kit, Suction Charge Plumb/Pilot Valve, CAT C-15, D2P
730612	Kit, Charger Filter, D4P
731210	Kit, Spares, Level 1, HMI

The incident was investigated and part #0049 was pulled out of the inventory and reviewed with the OEM. The manufacturer concluded that TESCO received these pressure gauges missing an internal restrictor which was part of their original design. This restrictor is either screwed or pressed into the pressure gauge socket, and it restricts the fluid flow between the pressure source and the pressure element. Its purpose is to reduce the effects of pressure fluctuations, frequently referred to as pulsation spikes, and to protect the pressure element from being damaged. Here are some generic views showing the location of this gauge on TESCO equipment:



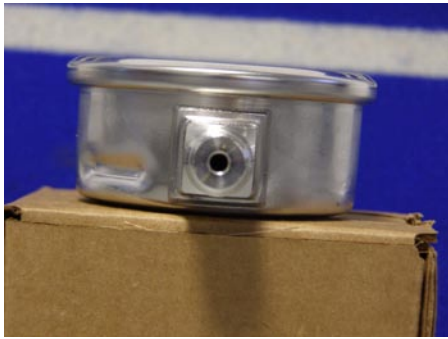
1120014 – Assy, Manifold, Run, Junction, E2P-1R



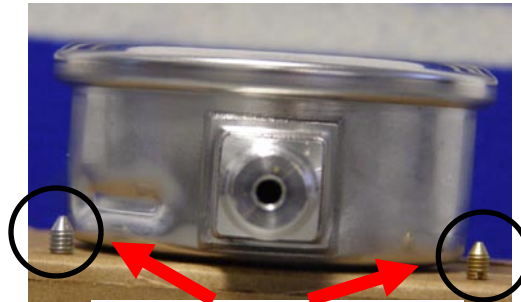
13881 – Kit, Plumbing/Instal, Pump Pres Gauges, 16V2000, D6P

Figure 1

The gauge in question is built and supplied by “Wika Instruments Ltd.” and can be identified on any power unit per above generic views. Please verify and confirm that all TESCO #0049 gauges used in your equipment are provided with the restrictor in the pressure gauge socket. Follow the picture details provided below to check and identify if you have the correct equipped gauge:



Socket without restrictor (1/8" orifice)



Available threaded restrictors



Socket with restrictor installed

Figure 2

If you find gauges that do not have the restrictor installed in the pressure gauge socket, remove and replace with properly equipped one and return the gauge to the vendor/supplier for retrofit.

AFFECTED PRODUCT:

Due to the lack of traceability of which gauges came without restrictor, this safety bulletin applies to all **D2P, E2P, D4P, D6P Power Units** and all other kits and manifold assemblies listed in the table above. Please check immediately and replace with properly equipped gauges.

ACTION REQUIRED:

STOP USE IMMEDIATELY UNTIL INSPECTION IS COMPLETED.

1. Check all TESCO equipment per generic locations shown in Fig 1 to find all TESCO #0049 gauges.
2. Verify that all TESCO gauges #0049 have the restrictor installed as shown in Figure 2.
3. If gauges are found without the restrictor remove from service and replace immediately.

Contact your local TESCO Parts and Service Center for further information regarding this bulletin and/or supply of affected components noted above.