



Model: See Affected Units

Serial #: N/A

Feb. 6, 2026

Product Bulletin # CDS-011 Rev 3

## Alert



# CDS Link Tilt operations with Stabilizer Kit and Coupler Plate Mount

## Issue

The dropped object was a Trunnion #5104016, component of Single Joint Links Stabilizer Kit #5104015. The Trunnion was installed with inadequate length bolts while a DT24294 Coupler Plate Mount was also present on the CDS Link Tilt Assembly. The accessory Coupler Plate Mount #DT24294 was not taken in consideration at the time of SJ Links Stabilizer Kit #5104015 design.

No personnel have been hurt.

The components subject to this alert are:

Part #	Description
5104015	Kit, Stabilizer, Single Joint Links, CDS
DT24294	Mount, Coupler Plate, CDS (obsolete)
5105106	Brace, ODS, Multi Coupler Plate, CDS

## Affected Units

All CDS Link Tilt Assemblies simultaneously equipped with Single Joints Links Stabilizer Kit #5104015 and obsolete Coupler Plate Mount #DT24294.

## Recommendation

1. Disassemble Single Joints Links Stabilizer Kit #5104015 from the CDS Link Tilt Assembly.
2. Disassemble the Multi Coupler Plate #H16763 (1), Mount #DT24294 (2) and Guard #16062 (3) from the CDS Link Tilt Assembly (Driller's Side):



Model: See Affected Units	Feb. 6, 2026
Serial #: N/A	
<b>Alert</b>	

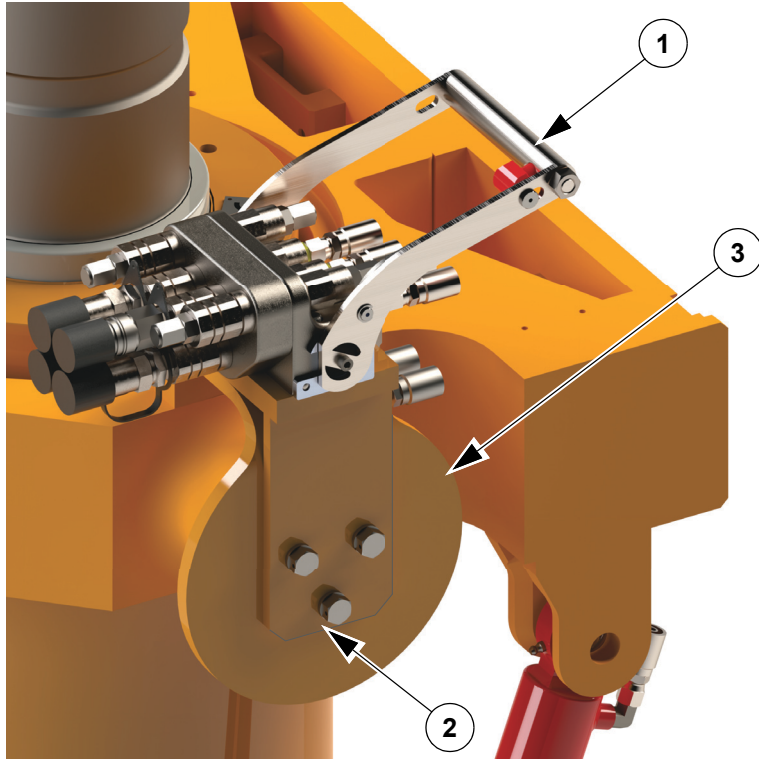


Figure 1: CDS link tilt assembly

3. Modify Coupler Plate Mount #DT24294 to #DT24294M:

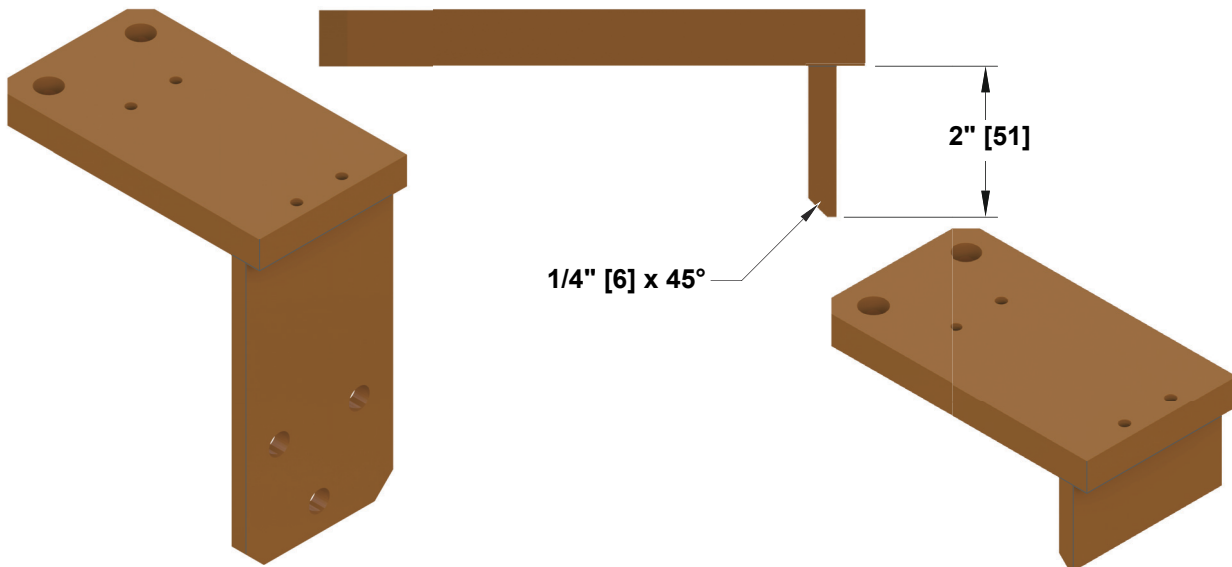


Figure 2: Modified mount



Model: See Affected Units	Feb. 6, 2026
Serial #: N/A	
<b>Alert</b>	

- Remove paint from modified Coupler Plate Mount #DT24294M and Guard #16062 and prepare for welding.
- Weld the modified Coupler Plate Mount #DT24294M to Guard #16062; Ensure the components' two (2) 5/8" holes are aligned:

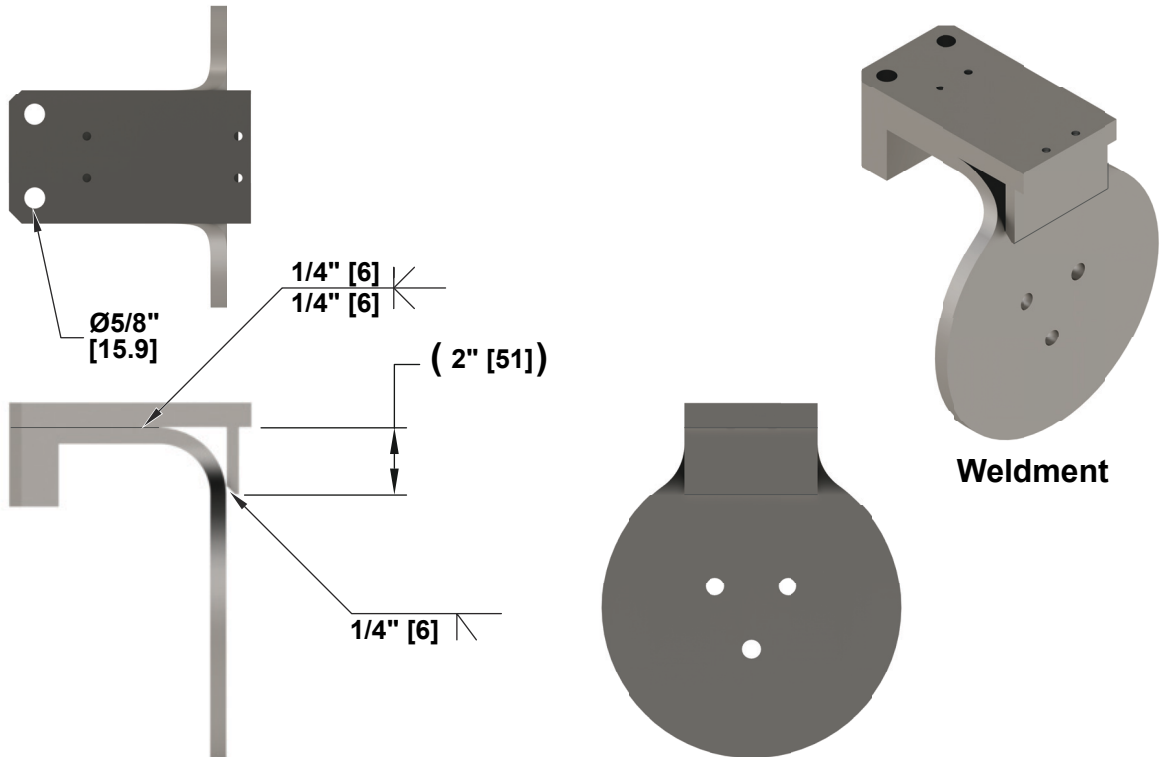


Figure 3: New mount weldment

- Paint the modified Guard #16062M (c/w welded modified Coupler Plate Mount #DT24294M) Tesco Yellow as per ENG713.

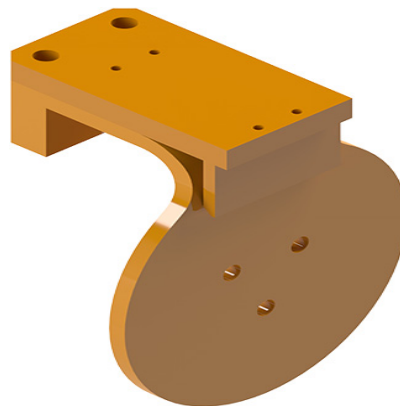


Figure 4: Mount Painted



Model: See Affected Units	Feb. 6, 2026
Serial #: N/A	
<b>Alert</b>	

7. Install the modified Guard #16062M & H16763 Multi Coupler Plate to the CDS Link Tilt Assembly.
8. Re-install Single Joints Links Stabilizer Kit #5104015 to the CDS Link Tilt Assembly:

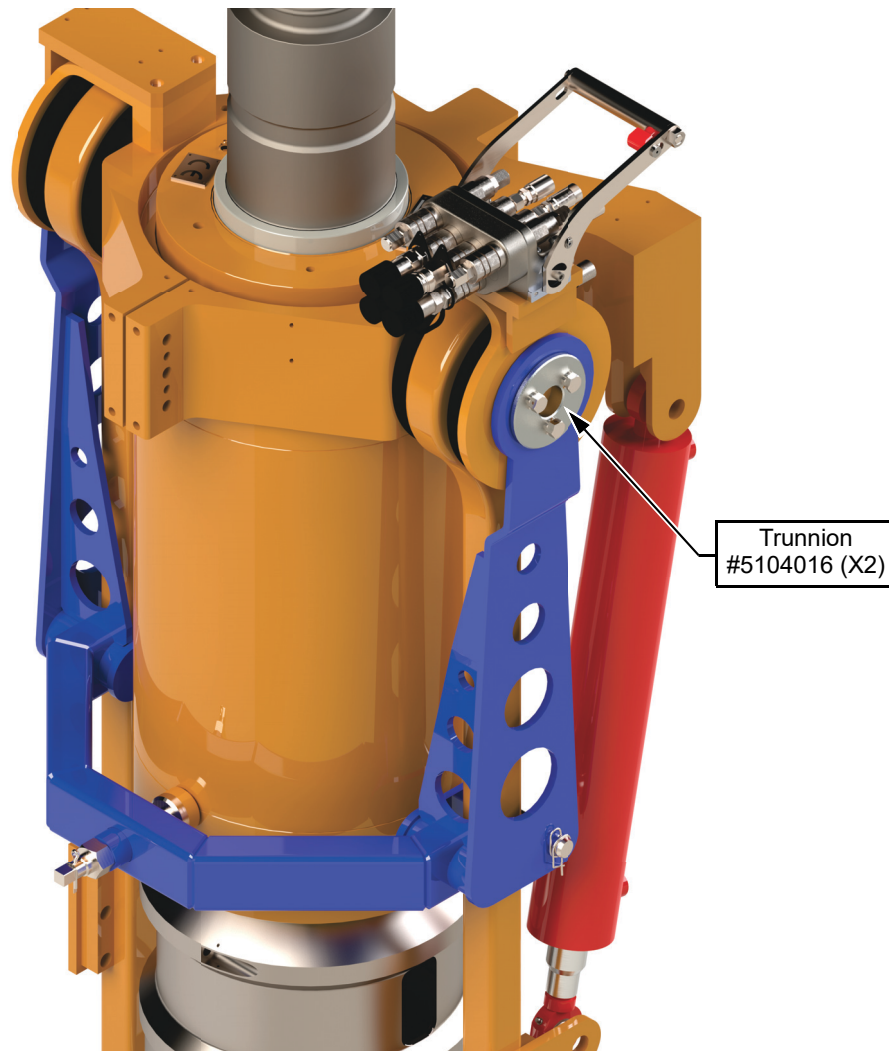


Figure 5: Guard and kit assembled to link tilt

**! IMPORTANT**

Use #9012 Hex-Head Cap Screws, 1/2"-13 UNC × 2-1/4", Gr 8, Pld, Drilled Head (or equivalent) and Washers #5033127 to mount Trunnions #5104016. Torque the screws to 80 ft-lb and secure with lock wire.



Model: See Affected Units	Feb. 6, 2026
Serial #: N/A	
<b>Alert</b>	

## Alternate Recommendation

Mount #DT24294 (Qty. 2) and Guard #16062 (Qty. 3) may be replaced by ordering and installing the current Brace #5105106.

Brace #5105106 installation requires:

- Screws #16327 (Qty. 2), Washers #17609 (Qty. 2).
- Screws #9012 (Qty. 3)(or equivalent) & Washers #5033127 (Qty. 3) to mount Trunnions #5104016.

Torque the screws to 80 ft-lb and secure with lock wire.

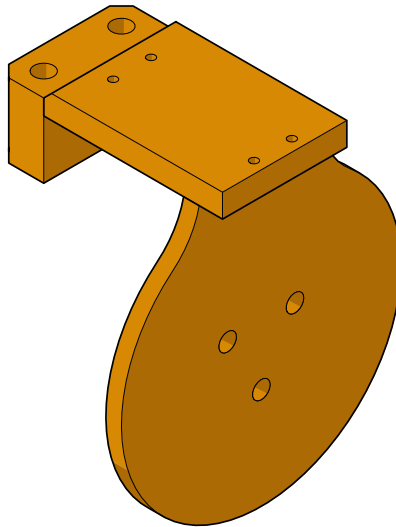


Figure 6: 5105106 Brace

Contact [truesupport@canrig.com](mailto:truesupport@canrig.com) to order parts. If you need assistance contact RIGLINE 24/7™.